



water solutions

# Data sheet

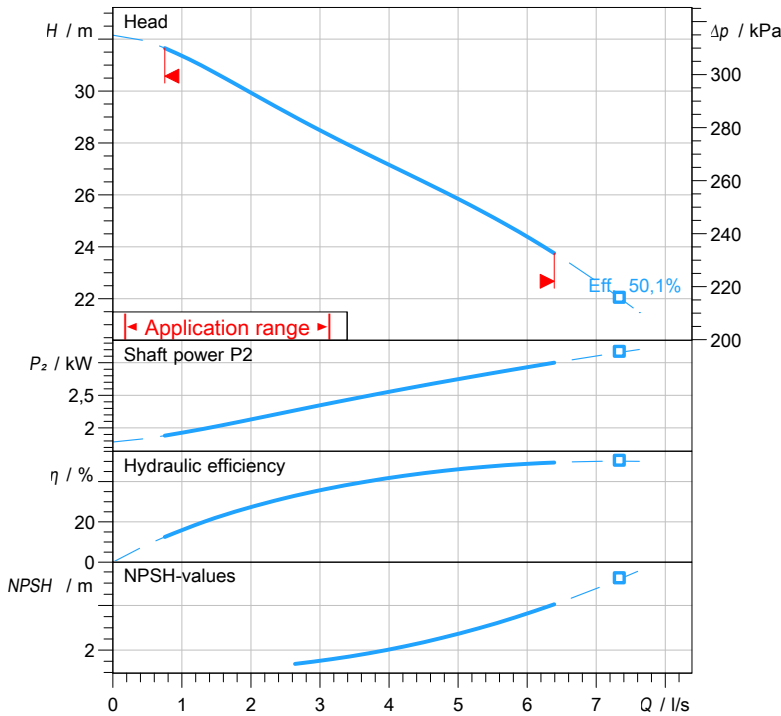
## APG 400/2/G50H D0ET5



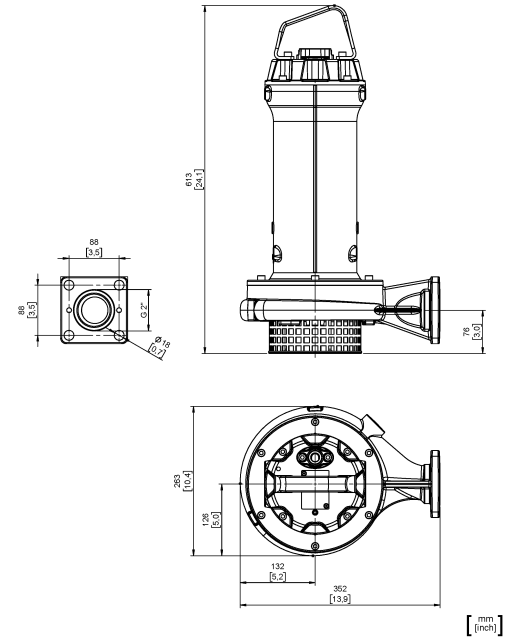
**GREY**  
series

### Technical specification

3~ 50 Hz



Characteristic curves according to UNI EN ISO 9906:2012  
P2 < 10kW: paragraph 4.4.2  
10kW < P2 < 100kW: Grade 3B  
P2 > 100kW: Grade 2B



#### Pump

Series	GREY series
Pump name	APG 400/2/G50H D0ET5
Configuration	NGT5B1040N00EX
Standard	ATEX 2014/34/EU
ATEX mark	II 2G Ex db IIB T4 Gb Ex h IIB T4 Gb

#### Operating limits (standard pumps)

Max. ambient temperature	40 °C
Max. density treated liquid	1100 kg/m <sup>3</sup>
pH treated liquid	6 ÷ 14
Max. start per hour (equally distributed)	30
Wet/dry use	WET
Max. acoustic pressure level	70 dB
Operating mode	S1 - Continuous use

#### Motor data

Rated voltage	400 V
Frequency	50 Hz
Motor phases	3~
Number of poles	2
Rated power P2	3,00 kW
Incoming power P1	3,68 kW
Rated current	6,4 A
rpm	2877 1/min
Efficiency	81,5 %
cos φ	0,835
Rated torque	10,0 Nm
Start	Direct starting
Starting current	38,7 A
Degree of protection	IP 68
Insulation class	H
Capacitor	
Starting Capacitor	

#### Construction materials

Case	Cast iron EN-GJL 250
Shaft	Stainless steel AISI 431
Hydraulic	Cast iron EN-GJL 250
Impeller	Cast iron EN-GJL 250
Painting/Coating	Bi-epoxy 200 μm sea water resistant
Screws	Stainless steel - Class A2-70
Gaskets	NBR
Strainer	Stainless steel - AISI 304

#### Construction features

Cooling system	No cooling jacket
Main cable	4G1,5 + 3x1
Cable length	10 mt
Mechanical seals	2 in silicon carbide (2SiC)
Additional drilling	-
Weight*	46 kg
Electrical variant	Thermal protection and leakage sensor

\* cable, stand and guiding system excluded

#### Hydraulic

Type	AP (High head impeller)
Free passage	8 mm
Impeller type	High head impeller
Max. hydraulic efficiency	50,1 %
Suction	
Discharge	DN 32 - G 2" EN 1092-2



water solutions

# Data sheet APG 400/2/G50H D0ET5

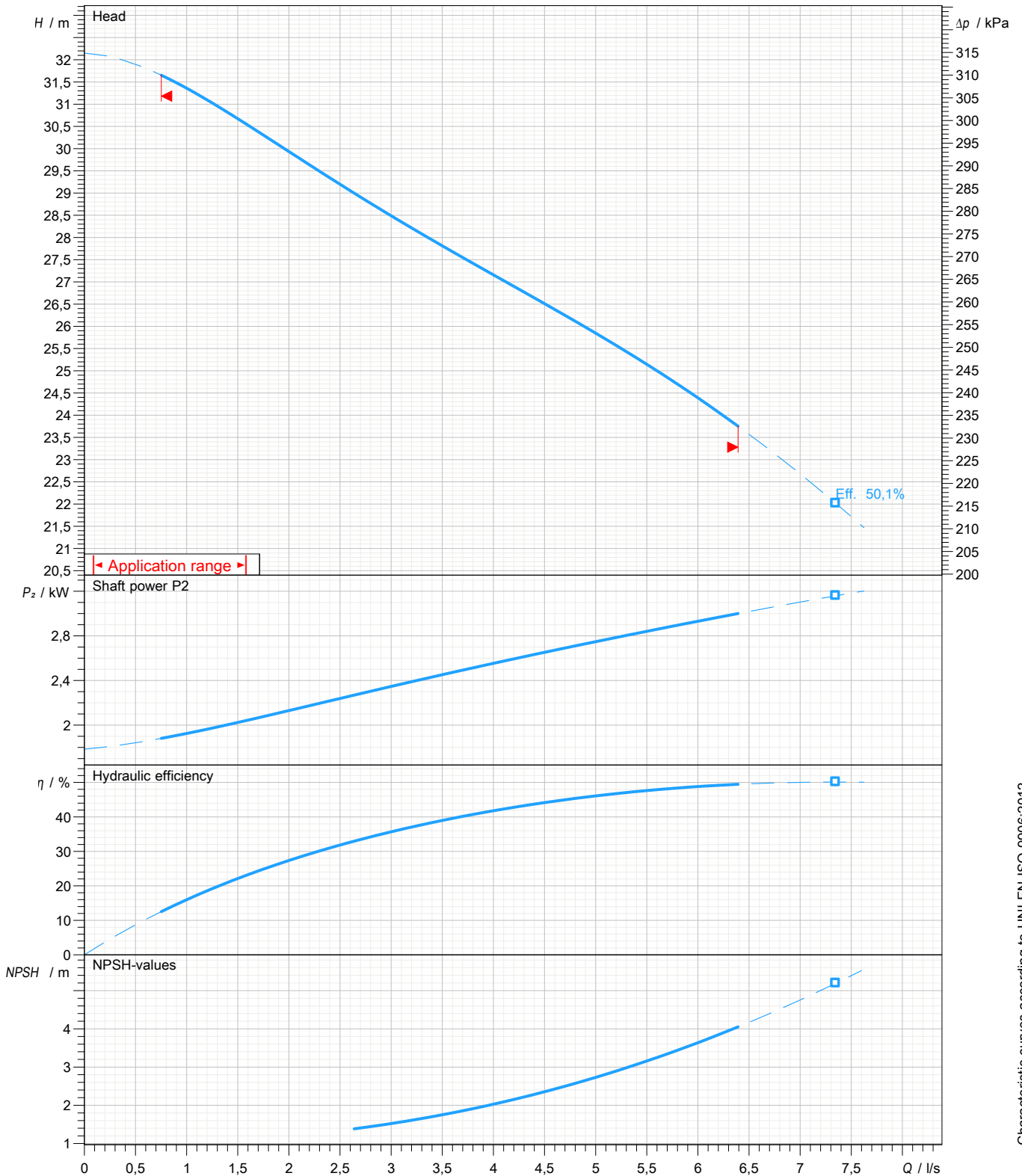


GREY  
series

## Pump performance curves

3~ 50 Hz

<b>Hydraulic type</b> AP (High head impeller)		<b>Impeller type</b> High head impeller	<b>Free passage</b> 8 mm	<b>Discharge</b> DN 32 - G 2"	<b>Suction</b>
<b>DUTY POINT</b>					
<b>Flow</b>	<b>Head</b>	<b>Shaft power P2</b>	<b>Hydraulic efficiency</b>	<b>Density</b> 998,3 kg/m <sup>3</sup>	<b>Viscosity</b> 1,005 mm <sup>2</sup> /s



Characteristic curves according to UNI EN ISO 9906:2012  
 P2<10kW: paragraph 4.4.2  
 10kW<P2<100kW: Grade 3B  
 P2>100kW: Grade 2B



water solutions

# Data sheet APG 400/2/G50H D0ET5

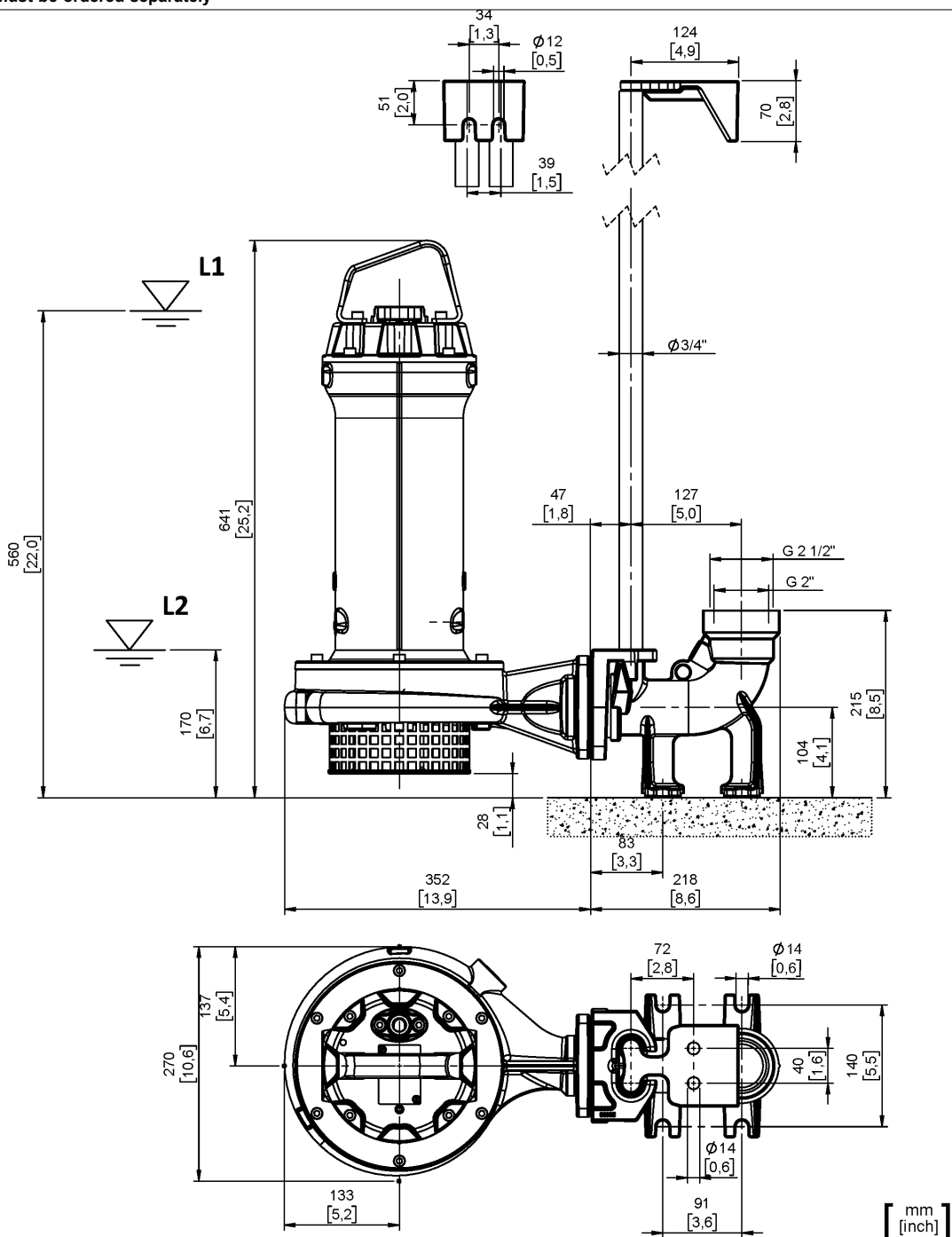


GREY  
series

## Dimensional drawing

3~ 50 Hz

<b>Installation type</b> Installation with bottom coupling device - Vertical outlet + GTP		
<b>Wet/dry use</b> WET	<b>Drilling variant</b> N	<b>Flushing valve - drilling</b> -
<b>Discharge</b> DN 32 - G 2" EN 1092-2	<b>Suction</b>	<b>Pressure rating (suction/discharge)</b> PN 6
<b>Accessory</b> DAC 32-50/G50V-G65V 3/4" EN+GTP (P)		<b>Accessory code</b> 9028.002
<b>Note: Accessory must be ordered separately</b>		



L1: Minimum operating level for continuous use

L2: Minimum operating level for discontinuous use